

# Technological line for processing, grinding and drying garlic

Professional technological systems for the food and chemical industries

## Application

The technological line for processing, grinding and drying garlic is used in the food industry and is an installation designed to prepare the product and marinade, as well as drying, grinding and transporting the finished garlic to the product warehouse.

## Description

The installation is used for the processing of garlic heads both garlic in marinade and dried garlic. The raw material is delivered in box-pallets to the tipper, and then transported by a conveyor to the garlic clove sheller, then to the peeler. Peeled garlic cloves are directed to two lines:

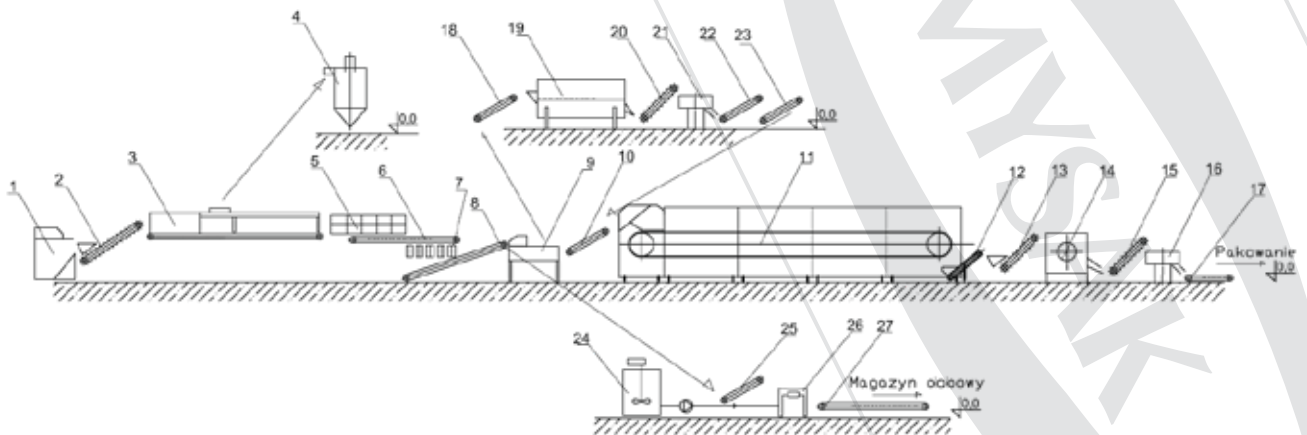
- A station for preparing garlic in a marinade, where the garlic is packaged and poured with a previously prepared marinade
- Garlic cutting, grinding and drying station, where the garlic cloves go to the slicer and then to the dryer. The dried raw material is then directed to the roller mill, ground and screened.

Both the raw material and the product are transported using belt conveyors.



## Technical specification\*

\* Technological parameters, structure and its individual elements are each time adjusted to the customer's needs.



Offered devices can differ from the ones presented in the pictures



[www.mysak.pl](http://www.mysak.pl)

## Contact:

tel. +48 61 810 16 27  
e-mail: [mysak@mysak.pl](mailto:mysak@mysak.pl)

## Address:

Mysak Group Sp. z o.o. Sp.k.  
Bukowska 18  
62-069 Dąbrowa / Poznan  
Poland